

5

4

3

2

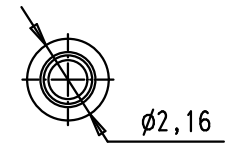
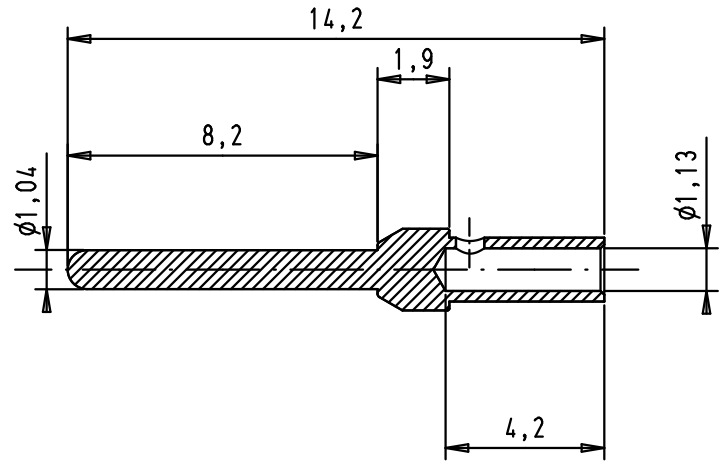
1

D

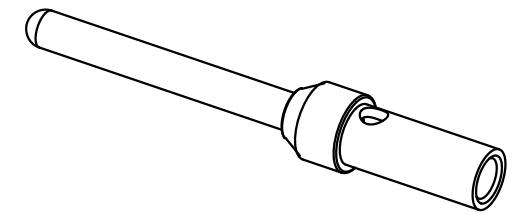
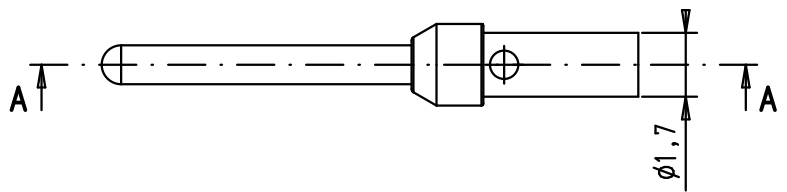
C

B

A



Crimping of AWG 20-24 : hand tool 09 99 000 0501
and locator 09 99 000 0531



5000	09 67 000 8576 580	PL1
100	09 67 000 8576	PL1
Bulk packaging	Part number	Gold plating (over nickel)

				Dot.	Name
				Detail.	12apr2010 LP
				Insp.	07/11/11 JB
EC04018	07/11/11	SD		Stand.	
EC01739	29apr2010	LP			
EC01656	12apr2010	LP			
Mod.	Dot.	Name	HARTING EURL F-95972 Paris		



D-Sub	AWG 20-24	Maßstab/ Scale
male turned crimp contact		5/1
TB09 67 000 857x		Blatt/ Page
Sub.		1/1